



The base of this adapter is made up of an HA-2500 adapter with some features improved. The input signal passes through a low-noise amplifier, which has a fixed gain in six steps (see Technical Parameters). It is suitable for all vehicles with electronic output. The input signal ratio (1: 1, 1: 2, 1: 4, 1: 8 and 2: 1 multiplier) can be set in the adapter.

Using the tachograph:

The two output signals from the adapter are phase shifted by 180 ° (open collector).

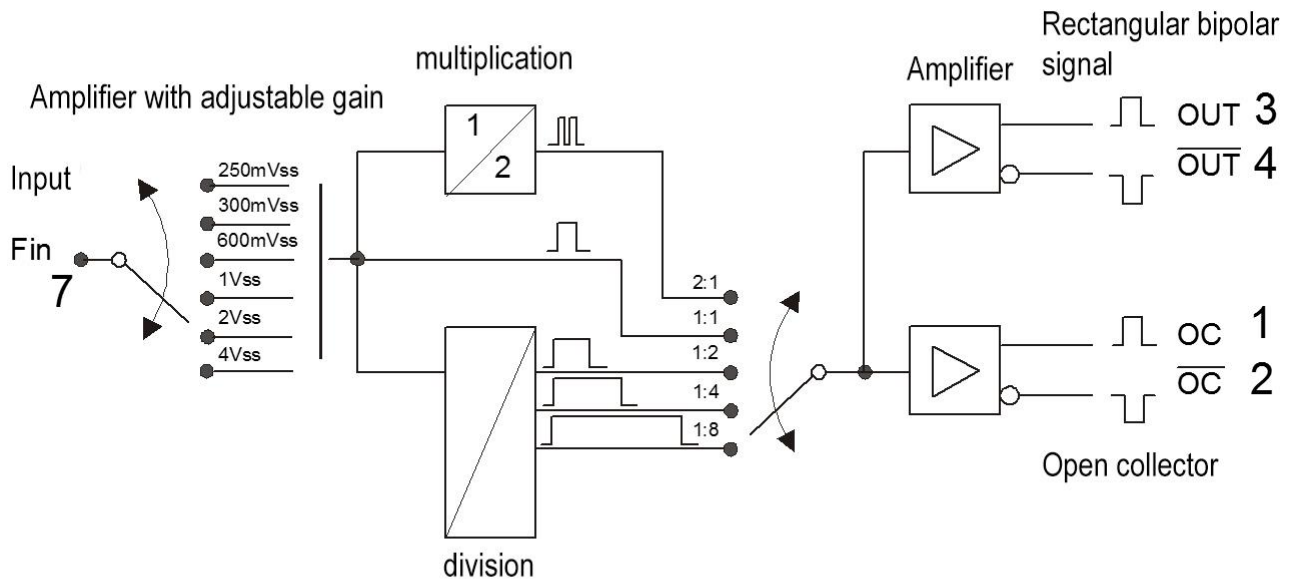
Using the electronic taximeter:

Two rectangular output signals from the adapter are phase shifted 180 °.

Technical parameters:

Power voltage	<b>6 - 16V</b> from tachograph, ie empty 8V
Input signal (more than)	step 1: 250mVss      step 4: 1Vss step 2: 300mVss      step 5: 2Vss step 3: 600mVss      step 6: 4Vss
Offset	Automatically set
Input frequency	0,1 Hz - 1500 Hz
Output signal	OC, NOC
	An open collector corresponding to the required input signal for Electronic tachographs (two phase-shifted signals of 180 °), Adjustable split ratio (1: 1, 1: 2, 1: 4, 1: 8) or multiplier (2: 1) OUT, NOUT rectangular bipolar corresponding to the required input signal for electronic taximeters and other el. Systems, adjustable split ratio (1: 1, 1: 2, 1: 4, 1: 8) or multiplier (2: consumption max.15Ma )
Climatic resistance	-40 - +85 °C
Relative humidity	0 - 90%
Resistance to vibration	Resists vibration 5G according to ČSN 30 4002 tab.7

Block connection:



Connection drawing:

