



The light signaling function is described using a flowchart. Signaling serves to inform the driver and passengers of the need to stop the car (emergency, stroller, invalid, stop).

- The light outputs are designed for the following power loads. If the above values are exceeded (eg short circuit), the overloaded circuits are disconnected separately.
- Button input circuits are designed to trigger the required function by connecting the corresponding input to the car's frame (to the negative terminal of the battery).

Canceling the selected functions will cause an open door level or impulse signal.

Level signal: Closed door ... disconnected or grounded input  
Open door ... + 24V

Impulse signal: Closed door ... disconnected or grounded input  
Open door ... descending edge +24V ⇒ 0V

- The unit operates in three user modes:

Repeat mode	active	DIP n.4	ON
	inactive		OFF
Confirmation mode	active	DIP n.3	ON
	Inactive		OFF
Mode 1 or 4	Output to 1 bulb	DIP n.2	ON
	bulbs	Output to 4 bulbs	OFF

**Output on the connector n.4**

- Acoustic signaling is provided by an internal loudspeaker

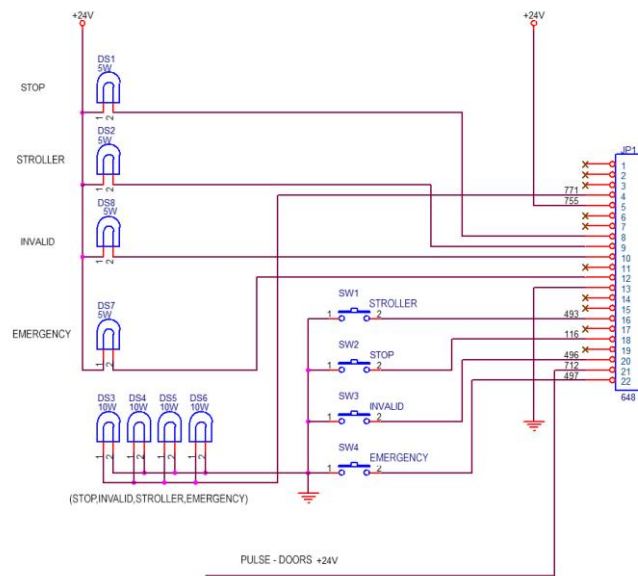
#### Characteristic data:

Symbol	Parameter	Size			Value
		min.		max.	
U <sub>CC</sub>	Power voltage	20		32	V
U <sub>OD</sub>	Input current - opening the door	20		U <sub>CC</sub>	V
U <sub>IN</sub>	Switching Voltage- pin 15,16,18,20,22		0	1	V
P <sub>IN,KO</sub>	Output bulb output Indicator INVALID, KOČÁREK, EMERGENCY, STOP		5		W
P <sub>ST</sub>	Output bulb output info STOP		4x10		W
I <sub>CC</sub>	Subscription from source (unloaded outputs)		20		mA
t	Operating temperature	-40		85	°C

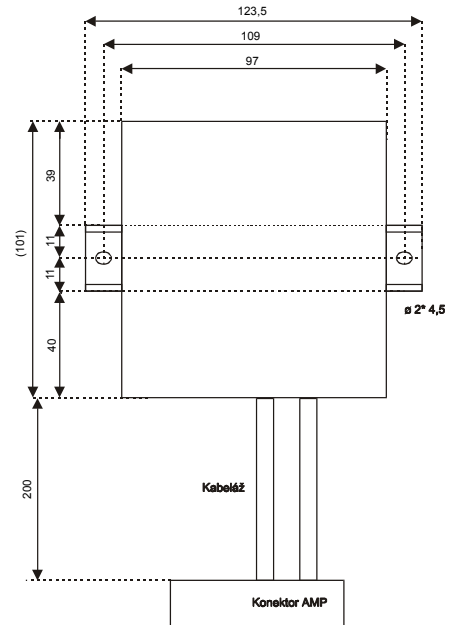
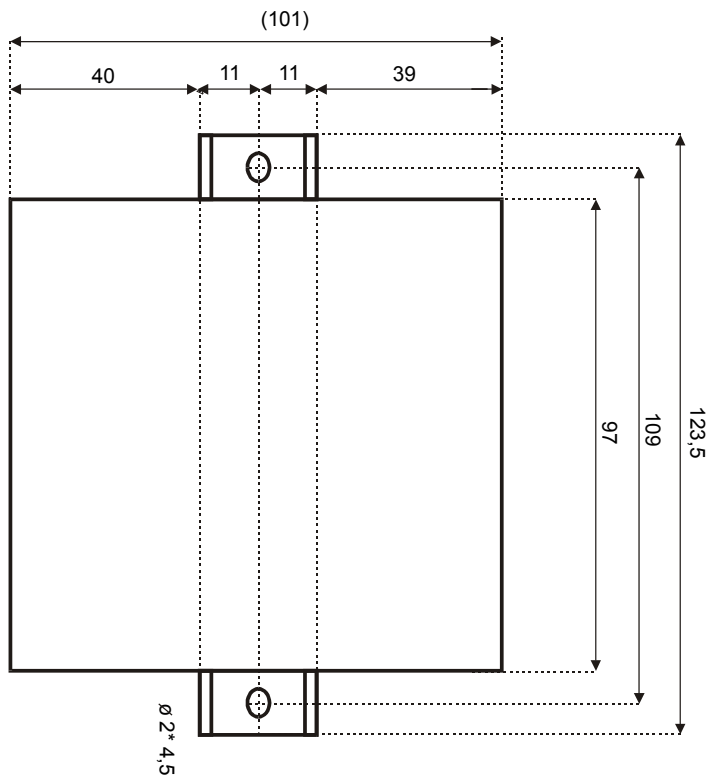
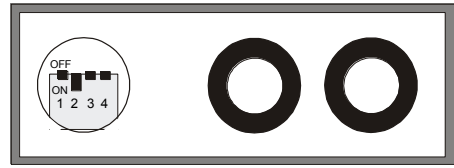
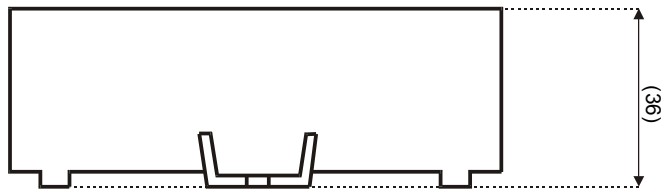
Wiring:

**Connecting the 22-pins connector (AMP 828 801-7)**

pin	Title	Connection to the car
1		
2		
3		
4		INFO STOP(Common output at bulb mode 1)
5		+24V
6		
7		
8		INDICATOR STOP
9		INDICATOR STROLLER
10		INDICATOR INVALID
11		
12		INDICATOR EMERGENCY
13		GROUND
14		
15		CONFIRMATION OF THE SIGNAL
16		STROLLER BUTTON
17		
18		STOP BUTTON
19		
20		INVALID BUTTON
21		DOOR OPENING SIGNAL
22		BUTTON EMERGENCY



Technical drawing: box - black plastic



Used connectors AMP:

0-828 801-7